

HANDLER

78-RK VARIABLE SPEED HEAVY DUTY VIBRATOR OPERATING MANUAL



Made in the U.S.A. Since 1920

DO NOT DISCARD

IMPORTANT INSTRUCTIONS

WARNING!
**FOR YOUR SAFETY PLEASE READ INSTRUCTIONS
BEFORE OPERATING TOOL & WEAR EYE PROTECTION**

THANK YOU FOR PURCHASING A HANDLER PRODUCT

Thank you for purchasing a HANDLER's MODEL 78RK VIBRATOR.

Please open the package and inspect the contents. Should damage have occurred in transit, contact the freight forwarder IMMEDIATELY. Failure to report damage to the forwarder promptly, will result in loss of your rights to claim possible damage to the product received.

Your vibrator has been inspected and tested many times during the manufacturing procedure. The vibrator was found to function properly before it was shipped. If damage has occurred to your new vibrator, please follow the procedure listed, above. Make certain to retain all packing for inspection by the freight forwarders inspector.

CAUTION!

BEFORE Connecting and Operating!
Unpack Accessories from Unit.
For Your Protection EXAMINE THE GOODS.

SAFETY INSTRUCTIONS

WARNING:
MUST BE INSTALLED BY A LICENSED PLUMBER

FOR YOUR SAFETY:
READ INSTRUCTIONS BEFORE
OPERATING TOOL.

WEAR EYE PROTECTION!

ALL ELECTRICAL ITEMS WITH A CORD SET:

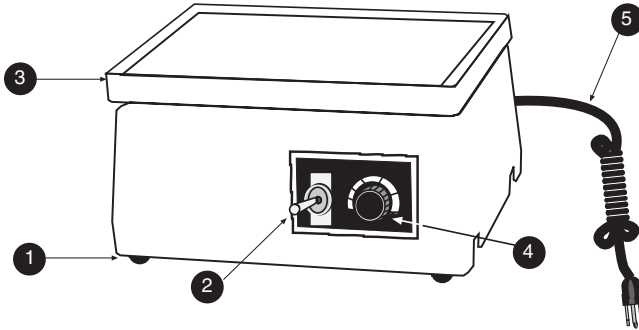
REPAIR OR REPLACE DAMAGED
OR WORN CORD IMMEDIATELY.
DO NOT EXPOSE TO RAIN OR USE IN
DAMP LOCATIONS.

ADVERTISSEMENT:
NE PAS EXPOSER A LA PLUIE
ET NE PAS UTILISER DANS LES
EMPLACEMENTS HUMIDES.

PARTS AND INSTALLATION

WARNING!

- (1) DO NOT use the vibrator with wet hands.
- (2) DO NOT use the vibrator in wet areas.
- (3) KEEP vibrator clean for maximum efficiency.
- (4) READ ALL ACCOMPANYING SAFETY RULES.



(1) PARTS LIST:

NOTE: Many technicians place a clear plastic bag over the vibrator to keep the vibrator clean. By following the instructions, above, you will be assured of durable service from your Handler 78-RK Vibrator.

PARTS:

- 01 Rubber Suction Feet
- 02 2-ON LOW/OFF/1 - ON HIGH Switch
- 03 Rubber Top
- 04 Variable Speed Adjusting Switch
- 05 Cordset

OPERATION

THE SYSTEM IS NOW READY FOR TESTING AND OPERATION (INSTRUCTIONS BELOW).

Your 78-RK Vibrator is built to function on 115 Volts/60Hz current, only. Connect the cordset to a suitable grounded electrical outlet prior to activating the ON/OFF switch.

Place the 78-RK on a flat smooth surface. We recommend the vibrator is covered with a plastic cover to protect the vibrator. The soft rubber feet are designed to keep the vibrator in a constant location during use. Dusts and debris on the working surface may allow the 78-RK to slip and slide around on the counter top. Keep the counter area clean and dry to prevent this from occurring.

The 78-RK is designed to operate on two levels of power - High (1) and Low (2). Additionally, the vibrating frequency of each level may be varied by rotating the variable speed frequency control knob located on the unit (#4).

Turn the ON/OFF switch (#2) to the desired frequency. Use the variable speed adjusting switch (#4) to adjust the vibration to the desired frequency.

The 78-RK Vibrator is manufactured to vibrate various types of viscous compounds. After each vibrating process, remove the plug from the electrical connection and wipe off any excess compound from the surface of the vibrator with a soft cloth. It is not recommended that harsh sprays or cleaners are to be used for this process. These will damage your vibrator.

For questions concerning the Handler 78-RK or any Handler product, please contact us at the address listed below:

HANDLER MFG. CO., INC.
612 NORTH AVENUE, EAST
WESTFIELD, N.J. 07090
PHONE: 908-233-7796
FAX: 908-233-7340
E-Mail: HANDENT@aol.com
web site: www.handlermfg.com

CONGRATULATIONS!

YOUR PRODUCT IS NOW READY FOR OPERATION.

IMPORTANT NOTICE

WHAT SHOULD YOU DO TO RETURN GOODS

1. Our terms of sale are F.O.B. our plant. Handler makes every effort to insure the proper delivery of goods, but we cannot guarantee the carrier's performance. Each product is tested and inspected for proper performance prior to leaving our facility. The responsibility for damage in transit is the carrier's, whether it is visible damage or concealed damage.
2. Inspect this shipment IMMEDIATELY. Insist that visible damage or possible damage be written on the Delivery Receipt by the receiver.
3. Inspect the contents of your shipment within 24 hours of receipt. Using your copy of our packing list, check for piece count and accuracy immediately to insure proper billing.
4. If damage is discovered, save all crates, cartons and packaging material until an inspection has been made by an agent of the carrier.
5. In case of damage, notify the delivering carrier IMMEDIATELY requesting that an inspection be made. Retain a copy of the inspection request for claim purposes. Failure to notify the freight carrier immediately will result in the loss of your rights to claim damage.
6. We have taken every precaution to insure safe arrival of your products. We cannot be responsible for negligence by another party.
7. The receiver of the goods must make claims for incorrectly shipped goods to the shipper within 15 days of receipt of delivery.

RETURNING GOODS

1. DO NOT return merchandise without our authorization. You must call first for a return authorization number.
2. We will not accept returned merchandise from the carrier unless our authorization NUMBER has been issued, and is clearly marked on the outside of the carton.
3. We will not accept goods (i.e. dust collectors) that are not cleaned and free of dust and debris. The merchandise will be shipped back. This is in compliance with OSHA regulations.

HANDLER MFG.

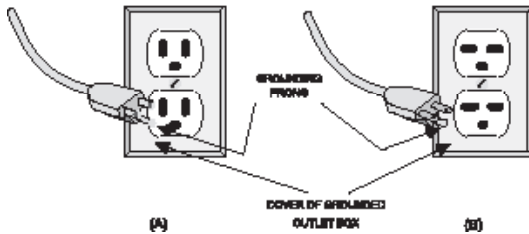
612 NORTH AVENUE EAST, WESTFIELD, NEW JERSEY 07090

GROUNDING AND TOOL SAFETY

1. GROUNDING INSTRUCTIONS

This tool should be grounded while in use to protect the operator from electric shock. The tool is equipped with an approved three-conductor cord and three-prong grounding type plug to fit the proper grounding type receptacle. The green (or green and yellow) conductor in the cord is the grounding wire. Never connect the green (or green and yellow) wire to a live terminal. If your unit is for use on less than 150 volts, it has a plug that looks like that shown in sketch (A) in Figure 1. If it is for use on 150 to 250 volts, it has a plug that looks like that shown in sketch (B). Use of an extension cords or a 2 prong adapter is not recommended.

FIGURE 1: GROUNDING METHODS



2. TOOL SAFETY INSTRUCTIONS

1. Keep Work Area Clean: Cluttered areas and benches invite accidents.
2. Avoid Dangerous Equipment
Don't expose power tools to rain.
Don't use power tools in damp or wet locations. Keep work area well lit.
3. Keep Children Away
All visitors should be kept safe distance from work area and appliance.
4. Store Idle Tools
When not in use, tools should be stored in dry, high, and locked location out of the reach of children.
5. Don't Force Tool
It will do the job better and be safe at the rate for which it was designed.
6. Use Right Tool
Don't force small tool or attachment to do the job of a heavy-duty tool.
7. Wear Proper Apparel
Do not wear loose clothing or jewelry which may get caught in moving parts. Tie back long hair or use a proper hair net.
8. Use Safety Glasses
Use safety glasses with all rotating tools. Also use a face or dust mask if cutting operation is dusty.
9. Don't Abuse Cord
Never carry tool by cord or yank it to disconnect from receptacle. Keep cord from heat, oil, and sharp edges.
10. Secure Work
Use clamps or a vise to hold work. It's safer than using your hand and it frees both hands to operate tool.
11. Don't Overreach
Keep proper footing and balance at all times.
12. Maintain Tools with Care
Keep tools sharp and clean for best and safest performance. Follow instructions for lubricating and changing accessories.
13. Disconnect Tools and TURN OFF.
When not in use; before servicing; when changing accessories such as blades, bits, cutters, etc.
14. Avoid Accidental Starting this and any other appliance. Be sure switch is OFF when plugging in.

WARRANTY

This HANDLER product is warranted to be free from defects in material and workmanship, when used under the conditions recommended by the manufacturer, and/or the purpose for which the product was intended, for a period of 12 months from the date of shipment from factory to job site of original owner. Products purchased from distributor warehouse stock are warranted for a period of 18 months from date of shipment from the manufacturer's warehouse.

In all cases, the full name and address of the distributor must be supplied, along with the name of the customer, product name and number, and serial number. A copy of the original invoice, showing date of purchase must accompany the warranty repair request.

This warranty will apply to equipment installed, operated and maintained in accordance with HANDLER procedures and recommendations.

During the life of this warranty, HANDLER will repair or replace (At HANDLER's option) free of charge. F.O.B. its plant, any defective part or assembly, if such defect occurred in normal service and was not due to apparent misuse, abuse, or accident.

Any warranty service performed in the field must be authorized by HANDLER MFG. Unauthorized service voids the warranty and any resulting charge will not be paid by HANDLER MFG.

HANDLER MFG. makes no other warranties or guarantees, expressed or implied. The merchantability of the components is expressly excluded. The manufacturer assumes no liability for indirect or consequential damages.

Detach or copy and mail back to the address below.

Customer Name:			
Address:			
City:	State:	Zip:	
Model No.:	Serial No.:		
Distributor:			
Distributor's Address			

Return to HANDLER

HANDLER MFG.
612 NORTH AVENUE EAST, PO BOX 520
WESTFIELD, NEW JERSEY 07090-0520