

WARRANTY

This **HANDLER** product is warranted to be free from defects in material and workmanship, when used under the conditions recommended by the manufacturer, and / or the purpose for which the product was intended, for a period of **12 months** from the date of shipment from factory to job site of original owner. Products purchased from distributor warehouse stock are warranted for a period of 24 months from date of shipment from the manufacturer's warehouse.

In all cases, the full name and address of the distributor must be supplied, along with the name of the customer, product name and number, and serial number. A copy of the original invoice, showing date of purchase must accompany the warranty repair request.

This warranty will apply to equipment installed, operated and maintained in accordance with **HANDLER** procedures and recommendations.

During the life of this warranty, **HANDLER** will repair or replace (At **HANDLER'S** option) free of charge, F.O.B. its plant, any defective part or assembly, if such defect occurred in normal service and was not due to apparent misuse, abuse, or accident.

Any warranty service performed in the field must be authorized by **HANDLER MFG.** Unauthorized service voids the warranty and any resulting charge will not be paid by **HANDLER MFG.**

HANDLER MFG. makes no other warranties or guarantees, expressed or implied. The merchantability of the components is expressly excluded. The manufacturer assumes no liability for indirect or consequential damages.

Detach and mail back

Customer Name _____

Address _____

City _____ State _____ Zip _____

Model # _____ Serial # _____

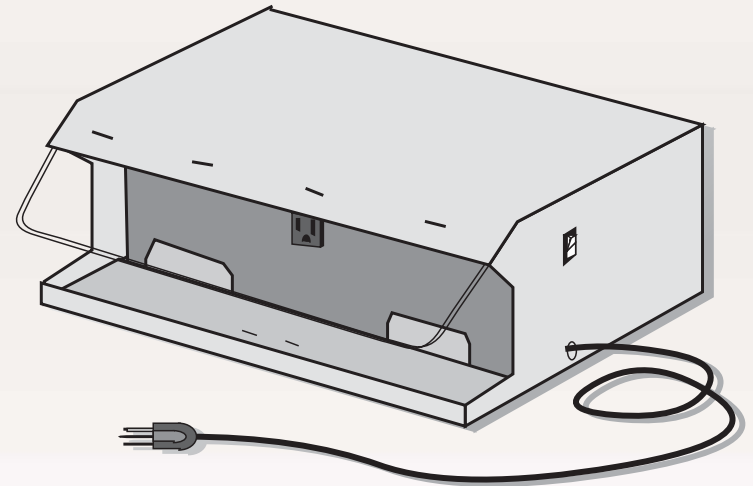
Distributor _____

Address _____

Return to **HANDLER**



76M DUST COLLECTOR

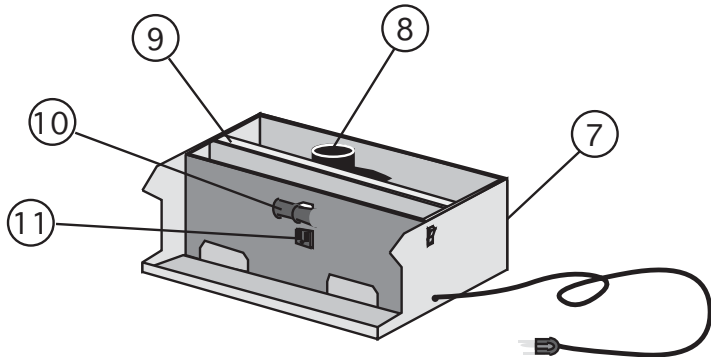
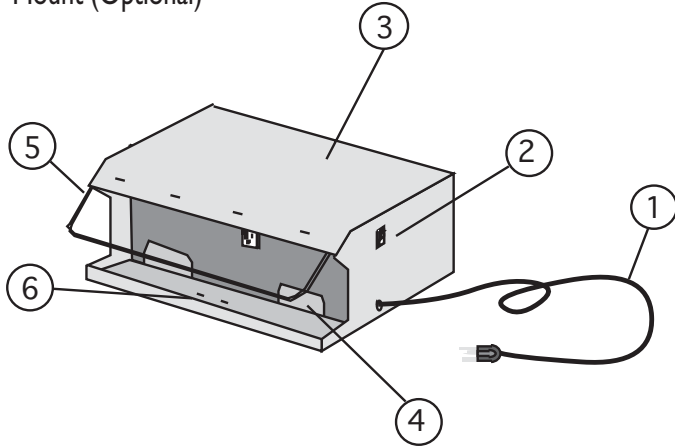


Made in the U.S.A. Since 1920

DO NOT DISCARD

IMPORTANT INSTRUCTIONS

- | | | | |
|---|------------------------|----|---------------------------------------|
| 1 | Power Cordset | 7 | Cabinet Complete |
| 2 | ON/OFF Switch | 8 | Suction Assembly |
| 3 | Top (Cover) | 9 | 76MF Replacement Filter - 12 x 20 x 2 |
| 4 | Suction Inlet | 10 | Light Socket Assembly |
| 5 | Safety Shield | 11 | Monoplex Receptacle |
| 6 | Motor Mount (Optional) | | |

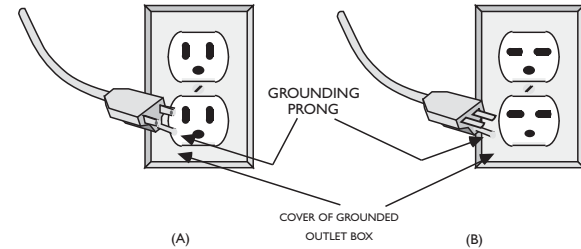


SAFETY INSTRUCTIONS

I. GROUNDING INSTRUCTIONS

This tool must be grounded while in use to protect the operator from electric shock. The tool is equipped with an approved three-conductor cord and three-prong grounding type plug to fit the proper grounding type receptacle. The green (or green and yellow) conductor in the cord is the grounding wire. Never connect the green (or green and yellow) wire to a live terminal. If your unit is for use on less than 150 volts, it has a plug that looks like that shown in sketch (A) in Figure 1. If it is for use on 150 to 250 volts, it has a plug that looks like that shown in sketch (B). Use of an extension cords or a 2 prong adapter is not recommended.

FIGURE 1:
GROUNDING METHODS



TOOL SAFETY INSTRUCTIONS

1. Keep Work Area Clean

Cluttered areas and benches invite accidents.

2. Avoid Dangerous Equipment

Don't expose power tools to rain. Don't use power tools in damp or wet locations. Keep work area well lit.

3. Keep Children Away

All visitors should be kept safe distance from work area and appliance.

4. Store Idle Tools

When not in use, tools should be stored in dry, high, and locked location out of the reach of children.

5. Don't Force Tool

It will do the job better and be safe at the rate for which it was designed.

6. Use Right Tool

Don't force small tool or attachment to do the job of a heavy-duty tool.

7. Wear Proper Apparel

Do not wear loose clothing or jewelry which may get caught in moving parts. Tie back long hair or use a proper hair net.

8. Use Safety Glasses

Use safety glasses with all rotating tools. Also use a face or dust mask if cutting operation is dusty.

9. Don't Abuse Cord

Never carry tool by cord or yank it to disconnect from receptacle. Keep cord from heat, oil, and sharp edges.

10. Secure Work

Use clamps or a vise to hold work. It's safer than using your hand and it frees both hands to operate tool.

11. Don't Overreach

Keep proper footing and balance at all times.

12. Maintain Tools with Care

Keep tools sharp and clean for best and safest performance. Follow instructions for lubricating and changing accessories.

13. Disconnect Tools and Turn Off Unit.

When not in use; before servicing; when changing accessories such as blades, bits, cutters, etc.

14. Avoid Accidental Starting

Be sure switch is OFF when plugging in.

ALL ELECTRICAL ITEMS WITH A CORD SET:

REPAIR OR REPLACE DAMAGED
OR WORN CORD IMMEDIATELY.
DO NOT EXPOSE TO RAIN OR
USE IN DAMP LOCATIONS.

ADVERTISEMENT:

NE PAS EXPOSER A LA PLUIE
ET NE PAS UTILISER DANS LES
EMPLACEMENTS HUMIDES.

HANDLER
MANUFACTURING COMPANY, INC.

INSTRUCTIONS FOR USE AND CARE OF A HANDLER'S #76M DUST COLLECTOR

I. Open the carton carefully. Inspect the dust collector thoroughly. Should damage have occurred in transit, note damage and contact the delivering carrier and your distributor immediately. Do Not contact Handler Manufacturing. The unit has been inspected at numerous intervals before leaving our plant. It has been shipped in a new condition via an insured freight carrier. If damage has occurred in transit, report it immediately. Failure to do so will result in loss of your legal right to claim damage.

II. Placement and Maintenance:

Your Handler Bench Top Dust Collector has been constructed of heavy gauge sheet steel. It is built to provide years of service, provided you follow the suggestions listed below:

- (1) Locate your bench top unit on a horizontally flat, sturdy table. Allow for a minimum of 5 to 6 inches of clearance between the side of the unit and a wall or similar vertical structure. This is to allow proper air flow through the aerodynamically designed dust collection system.
- (2) Remove the top cover of the #76M Dust Collector and place a 60 watt bulb (higher wattage bulbs are not recommended) into the light socket provided. Should you utilize a polishing motor other than a unit provided by Handler, make certain it contains a grounded electrical supply cord which is properly grounded to the motor. Handler Mfg. is not responsible for the function of motors manufactured by other companies. Plug polishing motor into 115V/60Hz outlet located on the side vertical panel of the #76M.
- (3) Familiarize yourself with the internal parts of your new Handler Dust Collector; Note where the suction motor (#8) is located, the ON/OFF switch (#2), and the removable-replaceable filter. The filter (#9) must be kept clean to allow for proper air flow through the unit. Check the filter periodically to insure it is not clogged with grinding and polishing debris. When the filter becomes filled, replace it with a new Handler sanitized filter to insure proper function of your dust collector. NOTE: Use of other filters of insufficient density and proper size may void the warranty. Replace the filter with a #76MF-12 x 20 x 2 filter obtainable from your distributor or from Handler Mfg.
- (4) Replace the top cover of your #76M and connect the cordset to a grounded 115V/60Hz outlet, ONLY, having sufficient amperage rating. If the nearest outlet is not properly grounded, contact a locally licensed electrician to change the outlet so that the unit may be operated properly and grounded. **DO NOT** remove the third grounding prong on the cordset. If this is removed, the warranty is void, and damage will occur to the unit.
- (5) Your 76M is made to accommodate a clear acrylic safety shield. This must be fitted to the underside of the top inclined surface before you use the 76M. Use the bolts and nuts supplied, to attach the shield. Please remove the protective paper covering prior

to attaching the shield.

- (6) Activate the ON/OFF switch (#2) of the dust collector. The light and polishing motor outlet will be activated simultaneously when the switch is turned on. Your #76M is now ready for use.

GENERAL INSTRUCTIONS

- (1) Wear proper eye protection (safety glasses) and face mask when polishing.
- (2) Always turn off your #76M when moving away from the unit.
- (3) Never use buffing wheels larger than 6 inches in diameter.
- (4) If you have long hair, tie it back and utilize a hair net.
- (5) Wear clothing which is fitted closely. Never attempt to use your #76M Dust Collector while wearing loose clothing, kerchiefs, tie, or similarly loose-fitted attire. Do not attempt to use the #76M Bench Top Dust Collector for purposes other than that which it was designed. Read and follow the safety instructions located on the following pages BEFORE operating your 76M.

III. Warranty:

The Handler #76M Dust Collector is warranted for a period of one year from date of sale by Handler. Should the unit malfunction during that period, contact your distributor and/or Handler Manufacturing Co., Inc. Handler will repair or replace your dust collector and/or Handler polishing motor at no cost except for appropriate transportation at our option. No other warranties are implied, or intended. Your warranty will become null and void if the unit is misused, not maintained, or not utilized as suggested.

IV. Lubrication:

Your #76M Bench Top Dust Collector is manufactured with oil-lite bronze bearings. NO lubrication is necessary for the life of your 76M suction motor. Keeping the filter clean and replaced on a regular basis will allow the unit to provide you with years of trouble free services.

Polishing Motor:

The 76M may have been shipped with a polishing motor. If you've ordered a polishing motor with your 76M, mount the polishing motor properly onto the front base of the 76M using the sheet metal mounting base and bolts, provided. Make certain to securely tighten the base and motor to the inside front base of the 76M Polishing unit.

Before connecting the electric cord to the socket in the vertical front panel of the 76M, mount the Left and Right No. 20 chucks to the Left and Right shafts of the polishing motor. Secure these to the motor shaft with the set screws located in the chucks. Tighten these securely. Your polishing motor is now ready for use.

ADDITIONAL INFORMATION

Should you require additional information on your Bench Top Dust Collector or wish to receive a catalogue illustrating Handler's complete line of dust collectors, polishing equipment and accessories, please send your name and address to:

Handler Manufacturing Co., Inc
612 North Avenue East
Westfield, New Jersey 07090-0520

Or Visit us on the web at: WWW.HANDLERMFG.COM

Catalogue Request:

Name: _____

Address: _____

City: _____ State: _____ Zip: _____

Comments: _____

