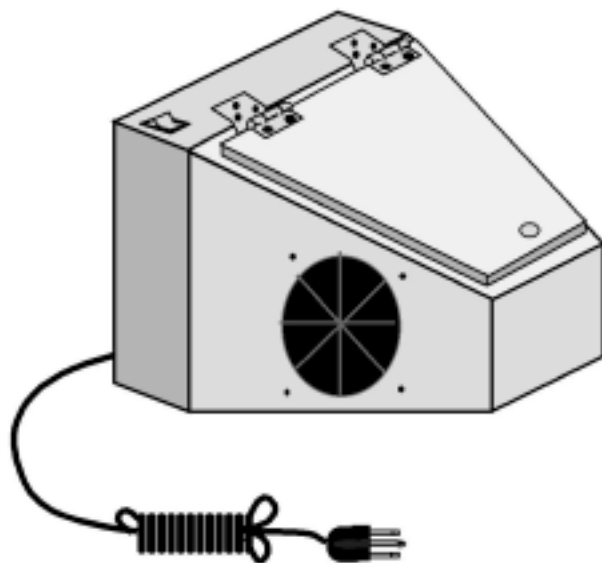


HANDLER



52CSU ETCHER CATCHER

**IMPORTANT INSTRUCTIONS
DO NOT DISCARD**



017-0083

HANDLER 

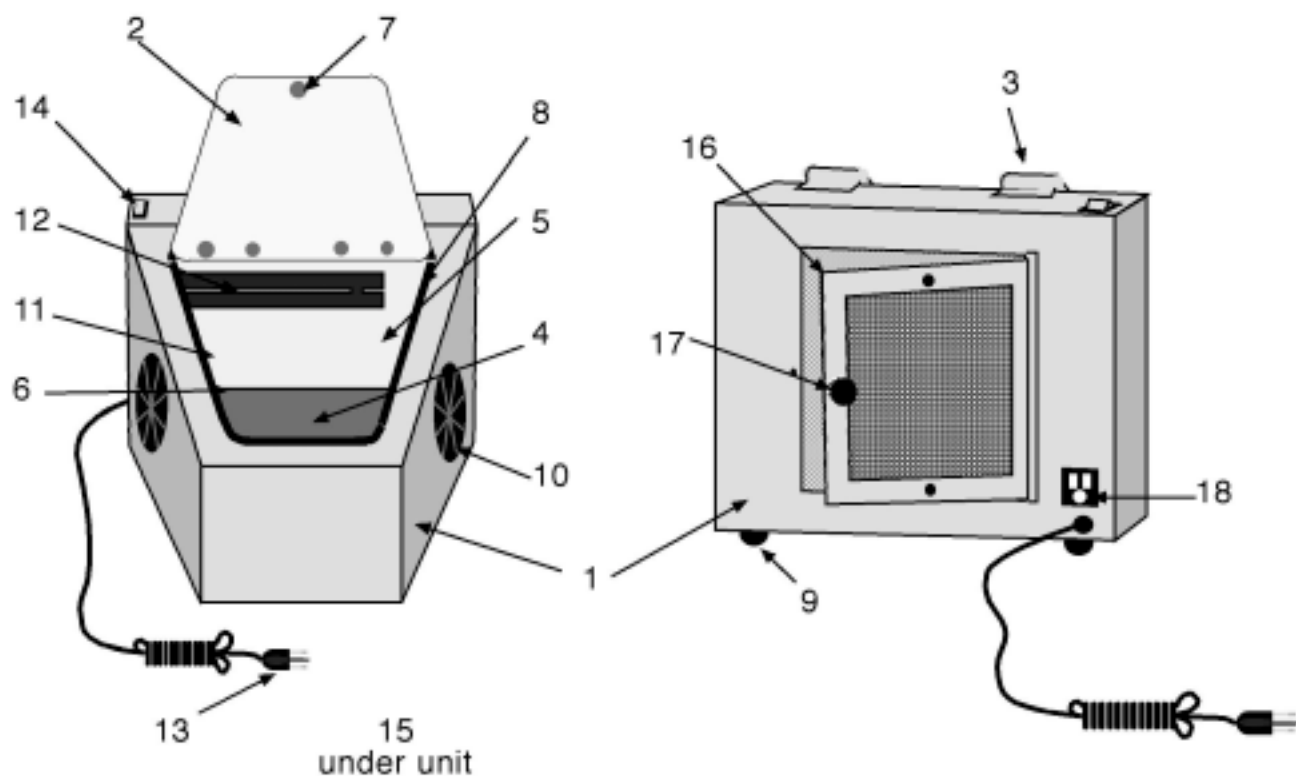
Over Eighty Years of Quality Manufacturing and Service...

MANUFACTURING CO., INC.

612 NORTH AVENUE EAST, WESTFIELD, N.J. 07090

Ph: (908) 233-7796 • Fax: (908) 233-7340 • 800-27-HANDL • E-Mail: info@handlrmfg.com • web site: www.handlrmfg.com

52CSU ETCHER CATCHER PARTS LIST



Front View

Rear View

- P52-01** Cabinet Assembly
- P52-02** Viewport Door
- P52-03** Self Closing Hinges
- P52-04** Bottom Screen (inside)
- P52-05** Rear Filter Screen (inside)
- P52-06** Fastener Assembly (2, inside)
- P52-07** Viewport Doorknob
- P52-08** Gasket
- P52-09** None-skid Feet
- P52-10** Hand Hole Gasket (2)

- P52-11** Gasket Retaining Plate (inside)
- P52-12** Light Assembly
- P52-12LB** Light Bulb
- P52-12LS** Light Shield
- P52-13** Power Cord
- P52-14** On-Off Switch
- P52-15** Plastic Plug
- P52-16** Filter, 6" x 6" Nom.
- P52-17** Thumb Screw Knob
- P52-18** Receptacle

52CSU ETCHER CATCHER

Thank you for purchasing a Handler "Etcher-Catcher." The "Etcher-Catcher" was designed by Handler to contain and collect dusts created during the sand blasting of precious and non-precious metals with aluminum oxide.

Open the package and inspect its contents. The "Etcher-Catcher" has been inspected prior to being shipped. Should damage have occurred in transit, contact the freight forwarder immediately. Do not contact the shipper as the receiver of a product must file a damage claim if necessary.

Be certain to note any damage which may have occurred, and report it promptly to the forwarder. Failure to file a claim in a timely manner could result in the loss of your rights of recovery for possible damages. Should you require assistance, please contact Handler Manufacturing at 1-908-233-7796 or 1-800-274-2635.

By following the instructions below, you will be assured of maximum effectiveness from the "Etcher-Catcher."

1. Place the "Etcher-Catcher" on a sturdy work surface.
2. Connect cordset to a grounded, polarized 115 Volt/60 Hz electrical receptacle. (220 Volt/50 Hz for Export units.)
3. Turn "ON" switch located on the top left surface of the "Etcher-Catcher." The internal fluorescent light will illuminate the work chamber.
4. Bring pencil blaster through either side hand entry port of the "Etcher-Catcher." Insert the piece to be blasted through the opposite side hand hole, and proceed with blasting procedure.
5. The "Etcher-Catcher" has been fitted with a fine pleated rear filter. This filter must be removed periodically and "tap cleaned." This is completed by removing the knob holding the rear door in place. Swing the hinged door open completely and gently remove the filter. Gently tap the filter onto a flat surface. Replace filter after this procedure.

52CSU ETCHER CATCHER

6. To clean and remove aluminum oxide dusts which have accumulated inside the "Etcher-Catcher," place unit over a disposal container and remove clean-out plug. Tilt unit slightly to assist the drainage process. Replace plug when finished.
7. The pleated filter, No. 52PF, should be replaced every 4 - 6 months under normal use, more often under heavy use. Contact your distributor, or Handler Mfg. Co., Inc., requesting a No. 52-PF pleated filter.

Your "Etcher-Catcher" has been designed to accommodate a suction unit which will greatly aid in removing dusts from the inside of the "Catcher" during blasting operations, Model 52-SU.

This add-on feature attaches to the rear hinged door of your "Etcher-Catcher." The 52-SU attaches to the catcher after the pleated filter to aid in keeping the inside of the "Etcher-Catcher" clear of debris.

We strongly recommend this add-on feature. It will keep the dusts created by the blasting operations to a minimum, keeping the inside area free of airborne dust particles. Contact your distributor, or Handler Manufacturing, for more information on this feature, requesting a Model 52-SU (Suction Unit). It will add 240 CFM (cubic feet/minute) free air suction power to your "Etcher-Catcher."

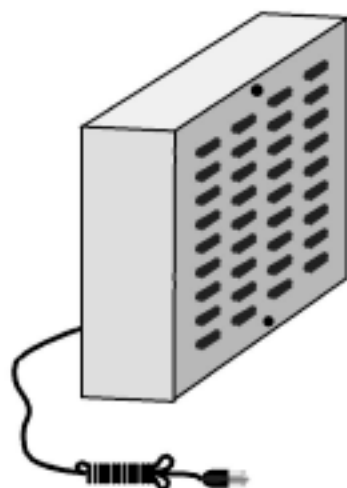
A second add-on feature is available for those who have a separate central or "stand alone" dust collection system. This is a 3" flanged insert which adapts to the rear of the "Etcher-Catcher," and allows for a 3" flexduct to be connected to the "Etcher Catcher." To place an order for this adaptation, please order 52-FI (Flanged Inlet).

Handler manufactures a full line of time saving laboratory equipment for you laboratory. For more information on a specific product, or to receive a catalogue, contact Handler at the address listed below.

Handler Manufacturing Co., Inc.
612 North Avenue East
P.O. Box 520
Westfield, N.J. 07091-0520

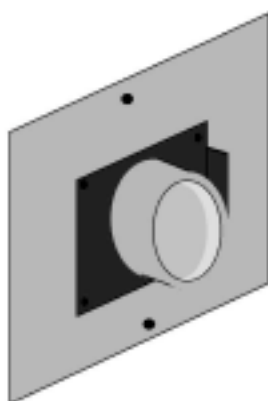
Additional Accessories for "Etcher Catcher"

1. 52-SU Suction Unit



An add-on suction unit for the Etcher Catcher. This unit attaches to the rear hinged door of the cabinet with the aid of two machine bolts. The 52-SU produces 240 CFM (cubic feet/minute) of free air suction capacity. During blasting operation, dust is pulled into the filter and exhausted to the rear of the "Etcher-Catcher." This unit keeps the internal blasting chamber free of dust.

2. 52-FI Flanged Inlet



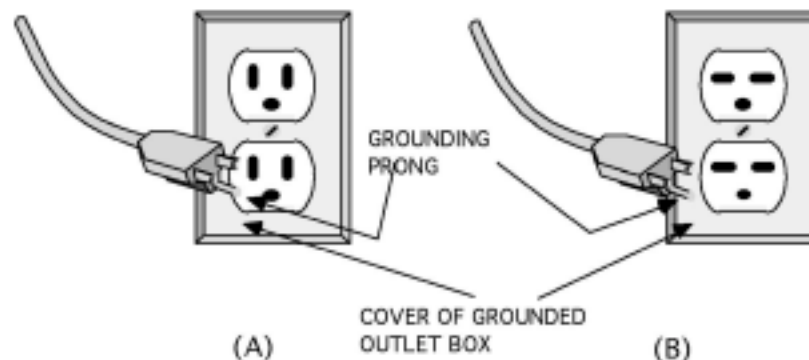
The 52-FI was designed to attach to the rear of the "Etcher-Catcher" and a separate dust collector. It attaches with two machine bolts to the hinged rear door of the "Etcher-Catcher." The flanged inlet is 3" in diameter. It may be connected with a standard 3" flexduct (66C-43) and a 3" clamp (66C-63). The 52-FI helps keep the inside chamber of the "Etcher-Catcher" free of dust.

SAFETY INSTRUCTIONS

I. GROUNDING INSTRUCTIONS

This tool should be grounded while in use to protect the operator from electric shock. The tool is equipped with an approved three-conductor cord and three-prong grounding type plug to fit the proper grounding type receptacle. The green (or green and yellow) conductor in the cord is the grounding wire. Never connect the green (or green and yellow) wire to a live terminal. If your unit is for use on less than 150 volts, it has a plug that looks like that shown in sketch (A) in Figure 1. If it is for use on 150 to 250 volts, it has a plug that looks like that shown in sketch (B). Use of an extension cords or a 2 prong adapter is not recommended.

FIGURE 1
GROUNDING METHODS



TOOL SAFETY INSTRUCTIONS

1. Keep Work Area Clean

Cluttered areas and benches invite accidents.

2. Avoid Dangerous Equipment

Don't expose power tools to rain. Don't use power tools in damp or wet locations. Keep work area well lit.

3. Keep Children Away

All visitors should be kept safe distance from work area and appliance.

4. Store Idle Tools

When not in use, tools should be stored in dry, high, and locked location out of the reach of children.

5. Don't Force Tool

It will do the job better and be safe at the rate for which it was designed.

6. Use Right Tool

Don't force small tool or attachment to do the job of a heavy-duty tool.

7. Wear Proper Apparel

Do not wear loose clothing or jewelry which may get caught in moving parts. Tie back long hair or use a proper hair net.

8. Use Safety Glasses

Use safety glasses with all rotating tools. Also use a face or dust mask if cutting operation is dusty.

9. Don't Abuse Cord

Never carry tool by cord or yank it to disconnect from receptacle. Keep cord from heat, oil, and sharp edges.

10. Secure Work

Use clamps or a vise to hold work. It's safer than using your hand and it frees both hands to operate tool.

11. Don't Overreach

Keep proper footing and balance at all times.

12. Maintain Tools with Care

Keep tools sharp and clean for best and safest performance. Follow instructions for lubricating and changing accessories.

13. Disconnect Tools

When not in use; before servicing; when changing accessories such as blades, bits, cutters, etc.

14. Avoid Accidental Starting

Be sure switch is OFF when plugging in.