

# HANDLER

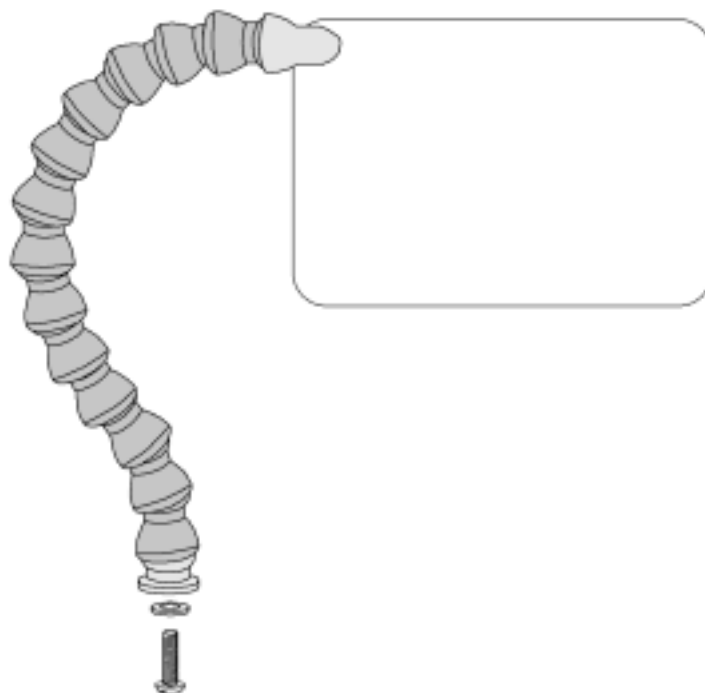


---

## 26SHLD SHIELD

---

**IMPORTANT INSTRUCTIONS  
DO NOT DISCARD**



**HANDLER** 

**MANUFACTURING CO., INC.**

*Over Eighty Years of Quality Manufacturing and Service...*

612 NORTH AVENUE EAST, WESTFIELD, N.J. 07090

Ph: (908) 233-7796 • Fax: (908) 233-7340 • 800-27-HANDL • E-Mail: info@handlermfg.com • web site: www.handlermfg.com

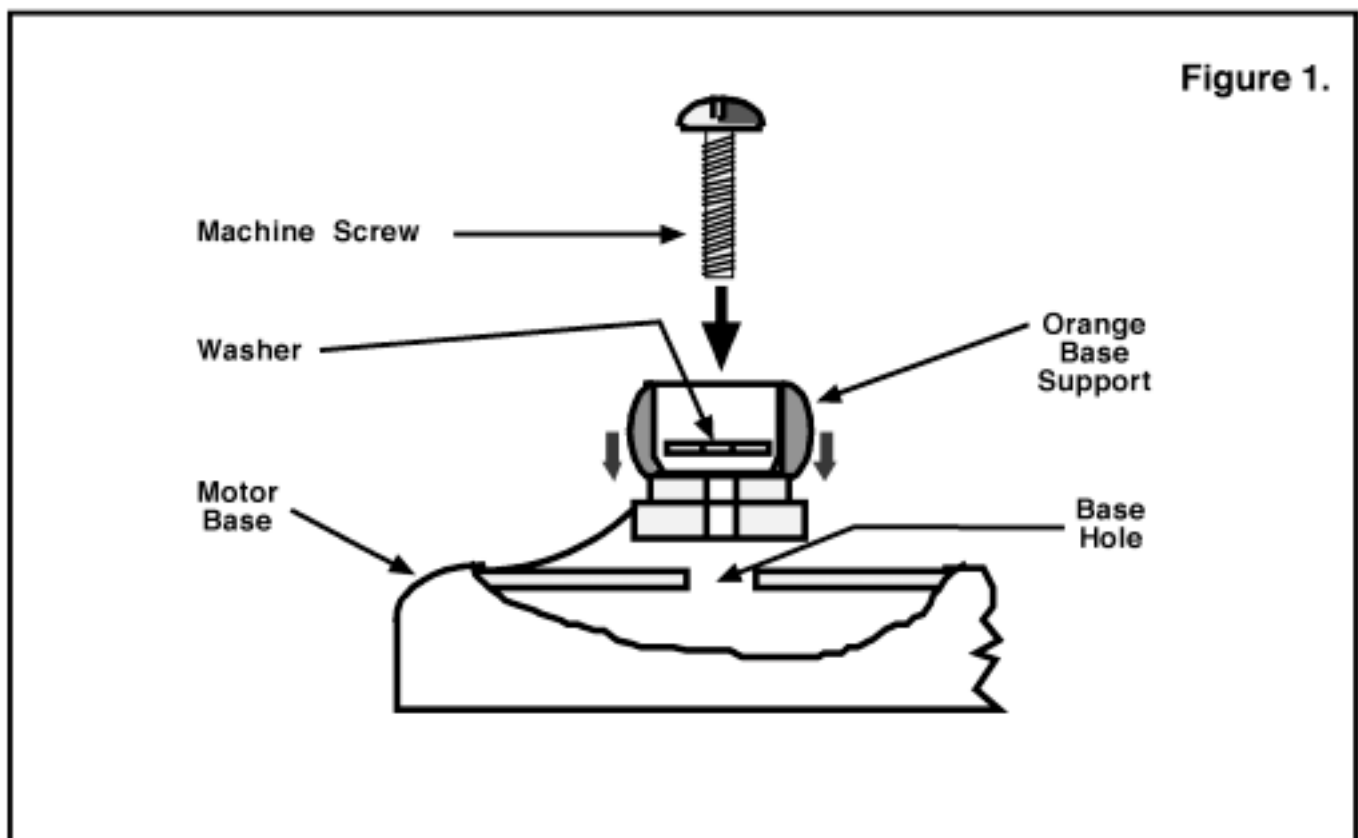
## GENERAL:

Remove shield from carton and inspect it. Should damage occurred in transit, contact the freight forwarder immediately. Failure to contact the freight forwarder to report damage promptly will result in loss of your right to place a damage claim.

## ASSEMBLY

Your 26SHLD has been shipped in a partially dis-assembled condition. Follow the instructions, below, to attach the 26SHLD to your polishing motor.

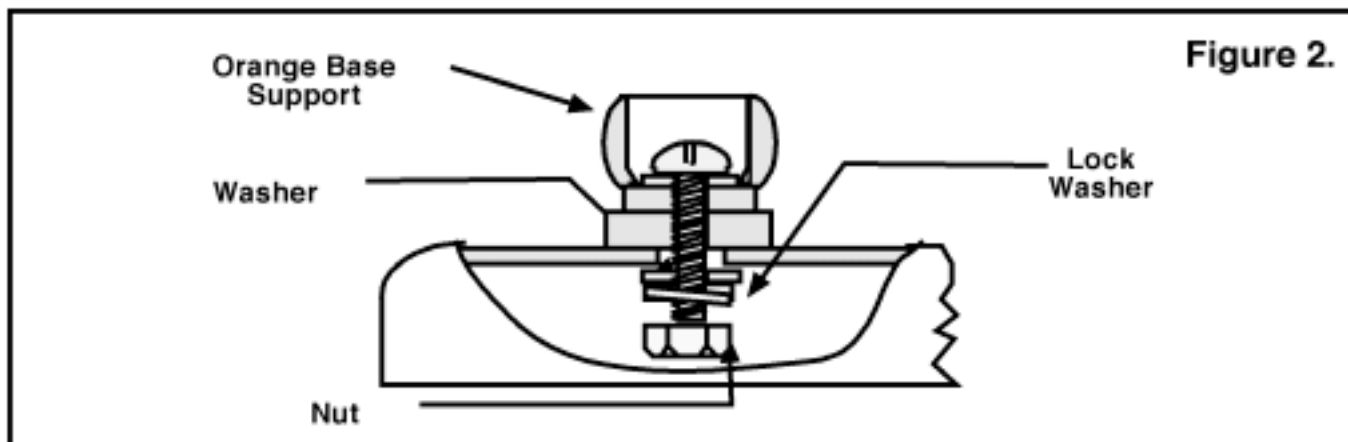
- 1 .....Disconnect the motor from its electrical source.
- 2 .....Place motor on its "back" and remove motor base plate from the base.
- 3 .....The 26SHLD has been shipped in two pieces. Remove bolt, nut, and washers from orange base support.
- 4 .....Place orange base support on top of left or right front base hole. Place Large washer under bolt head and place the bolt with washer through hole in orange support and base. (See figure 1.)



# HANDLER

MANUFACTURING COMPANY, INC.

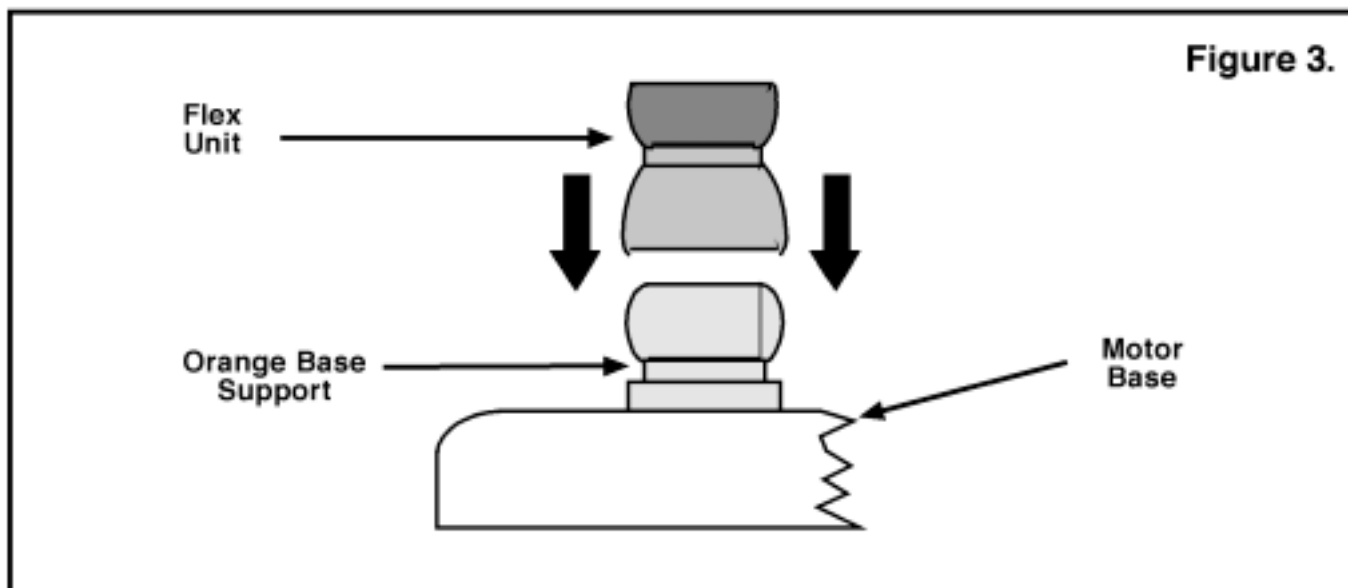
5 .....Place remaining large washer, lock washer and nut onto bolt from bottom of base. Tighten securely. (See Figure 2.)



6 .....Replace motor base plate and bring polishing motor to upright position.

7 .....Straighten the moveable arm of the 26SHLD. Place the open end of the last blue flex unit over the orange base support - pushing downward securely. (See Figure 3.) The two parts will snap into place with proper force.

8 .....Your 26SHLD is now ready for use. Adjust it to the desired location on the left or right side of your polishing motor to help protect against flying debris.



Handler manufactures a full line of polishing hoods, dust collectors and protective shields. For more information, mail the form, below, to Handler or contact us at 908-233-7796 or 1-800-27HANDL. Thank you for purchasing a Handler product.