

# HANDLER

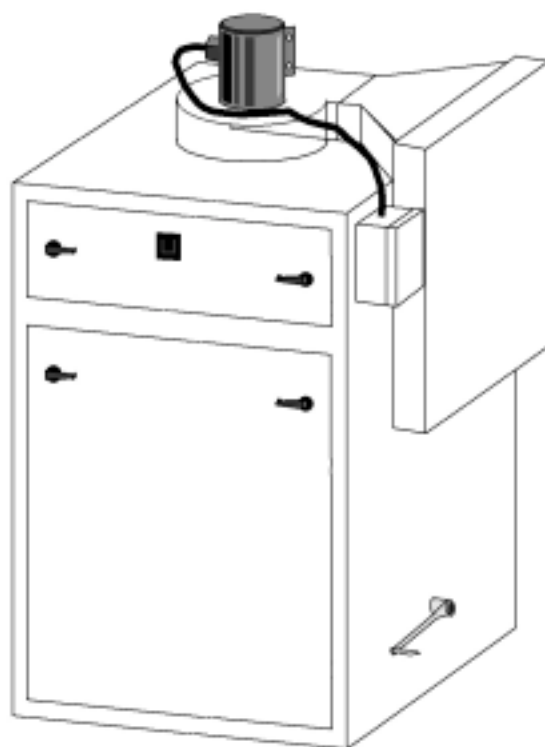


---

## 105 DUST COLLECTOR

---

**IMPORTANT INSTRUCTIONS  
DO NOT DISCARD**



**HANDLER**   
MANUFACTURING CO., INC.

OVER EIGHTY YEARS OF QUALITY MANUFACTURING AND SERVICE...

612 NORTH AVENUE EAST, WESTFIELD, N.J. 07090

Ph: (908) 233-7796 Fax: (908) 233-7340 • 800-27-HANDL • E-Mail: [info@handlrmfg.com](mailto:info@handlrmfg.com) • web site: [www.handlrmfg.com](http://www.handlrmfg.com)

## **INSPECTION**

Uncrate your Dust Collector and inspect it. Should damage have occurred in transit, contact the freight forwarder immediately. Note on the shipping receipt any visible exterior damage to the shipping container. DO NOT contact Handler Manufacturing, as all damage must be claimed by the Receiver of merchandise - not the shipper.

## **GENERAL INFORMATION**

The 105 series Dust Collector, a self-contained Collector, is supplied complete - ready to attach to your Dust Collection Hoods. This is accomplished with the aid of 3 inch flexible tubing and/or rigid sheet metal or rigid vinyl ducting, if specified.

Should you require assistance in preparing a proper suction layout for your facility, please contact Handler Manufacturing. It will be necessary for Handler to receive a sketch of the area to be serviced by the dust collector, including dimensions, type of dusts to be collected, distance from the collector to the suction receptacle, and additional pertinent data which may assist in providing a proper layout for your suction system. There is no cost for this service, providing Handler equipment is purchased.

Upon opening the crate, check to see each accessory has been correctly supplied as specified on your order. Should an item be missing, contact your distributor immediately, supplying the unit serial number, date received or invoice number. Accessory items may have been packed in a separate carton to facilitate shipping. Do not discard packaging materials until all accessories have been accounted for.

## **MOTOR - ELECTRICAL CONNECTION**

The motor (#105-10) provided to power your Dust Collector is designed for continuous operation. Should a malfunction occur, contact your distributor or Handler. Lubrication is not necessary, as the motor contains permanently lubricated seal ball bearings.

The Dust Collector has been wired as specified on your order. The service of a qualified Licensed Electrician should be enlisted to properly connect the Dust Collector to the correct power source. Improper electrical connection and fusing may cause permanent damage to the Dust Collector's motor, resulting in improper Dust Collection operation, and possible failure.

## **OPERATION**

Connect Splash Hoods and other dust collecting accessories to the suction inlet(s) located on the Dust Collector. Additional inlets and accessories may be obtained from Handler. Make certain all connected fittings are securely clamped and sealed or taped to prevent possible suction loss.

# HANDLER

MANUFACTURING COMPANY, INC.

Upon completion of the proper electrical connections, activate the unit by depressing the motor starting switch (#105-20). Allow the unit to operate for a short period. Deactivate the unit.

Remove the top front cabinet door (#105-02). Activate the switch (#105-20) for one second, then de-activate. Check suction wheel rotation (#105-14). An arrow on the suction housing (#105-15) points the correct direction of rotation. Should the wheel rotate in the wrong direction, the unit's electrical source has been connected incorrectly. Recheck electrical connections. Enlist the service of a qualified Licensed Electrician for this procedure, only.

Having completed checking the fan rotation and making any necessary corrections to the ducting, replace the top front cabinet door (#105-02). The Dust Collector is now ready for operation - to collect either wet or dry grindings and dust. It's functional noise is made acceptable by the special Silencer (#105-16) provided on the unit. An additional silencer is available which will reduce the exhaust air flow noise level 15-25%. Please request the #105SW stack silencer from Handler.

## MAINTENANCE

The unit is designed to collect all types of wet or dry grindings. These grindings are caught on the outer side of the cloth filter bags (#105FB). To remove these grindings and permit proper air movement to pass through the Collector, the grindings should be shaken from the cloth filter bags (#105FB) with the use of the foot shaker. The shaker (#105-06) is located on the right lower side of the Dust Collector cabinet. This should be completed at least once a week under normal use and once a day under heavy use. See sketch for the location of the shaker handle.

**NOTE:** A noticeable drop in suction will result if the bags are not shaken clean regularly.

**IMPORTANT:** DO NOT use this unit to collect ALUMINUM OXIDE dusts. Special filter bags must be installed to collect this type of dust.

The Dust Collector has been further provided with a large dust tray (#105-05) which catches the larger dust particles that have been shaken from the filter bags. This should be checked periodically by turning the unit off, removing the lower cabinet door and disposing of the dust in the tray (#105-05). If the dust collected contains precious grindings, retain these for future reclamation.

It is further recommended that the cloth filter bags are replaced once a year, and cleaned at least once a month with the long handled brush provided. This is accomplished by pushing the brush between each of the filter bags inside the Collector, AFTER the Collector has been turned off. Brush bags by pushing the brush from front to rear between each bag. Move brush from top to bottom between each bag to thoroughly dislodge clinging dust particles from each filter bag surface. A household type vacuum unit may be used, to supplement brush cleaning. This procedure should be completed at least quarterly (every three months) under heavy use.

### **ALWAYS DEACTIVATE (TURN OFF) DUST COLLECTOR WHEN PERFORMING ANY SERVICE.**

The lower cabinet door should be replaced in the cabinet after the dust tray and filter bags have been cleaned. Remember, by keeping the cloth filter bags clean, the unit will operate efficiently. The Dust Collector will always do its part if you do yours.

**105 AUTO-SHAKER:** Your 105 Dust Collector may be fitted with an Automatic Shaker Assembly and/or a Collection Hopper. If your Unit was ordered with these extra accessories, there will be no need to shake the internal filter bags. This will be accomplished with the aid of the automatic shaker.

However, it will be necessary for you to clean the lower cabinet tray, as described, above. In addition, the filter bags should be brushed at least once per month, and, possibly, once each week under very heavy use.

A regular cleaning schedule should be developed by your facility, based upon the amount of dusts collected by the 105 Dust Collector. This includes the brushing of the filter bags, and the cleaning of the lower internal cabinet tray.

If your 105 is fitted with a collection hopper, the same cleaning schedule must be developed based upon use and collection of dusts and debris. Remove the Dust Hopper at least once per month - more often under heavy use. Empty the hopper and replace it into the lower section of the 105.

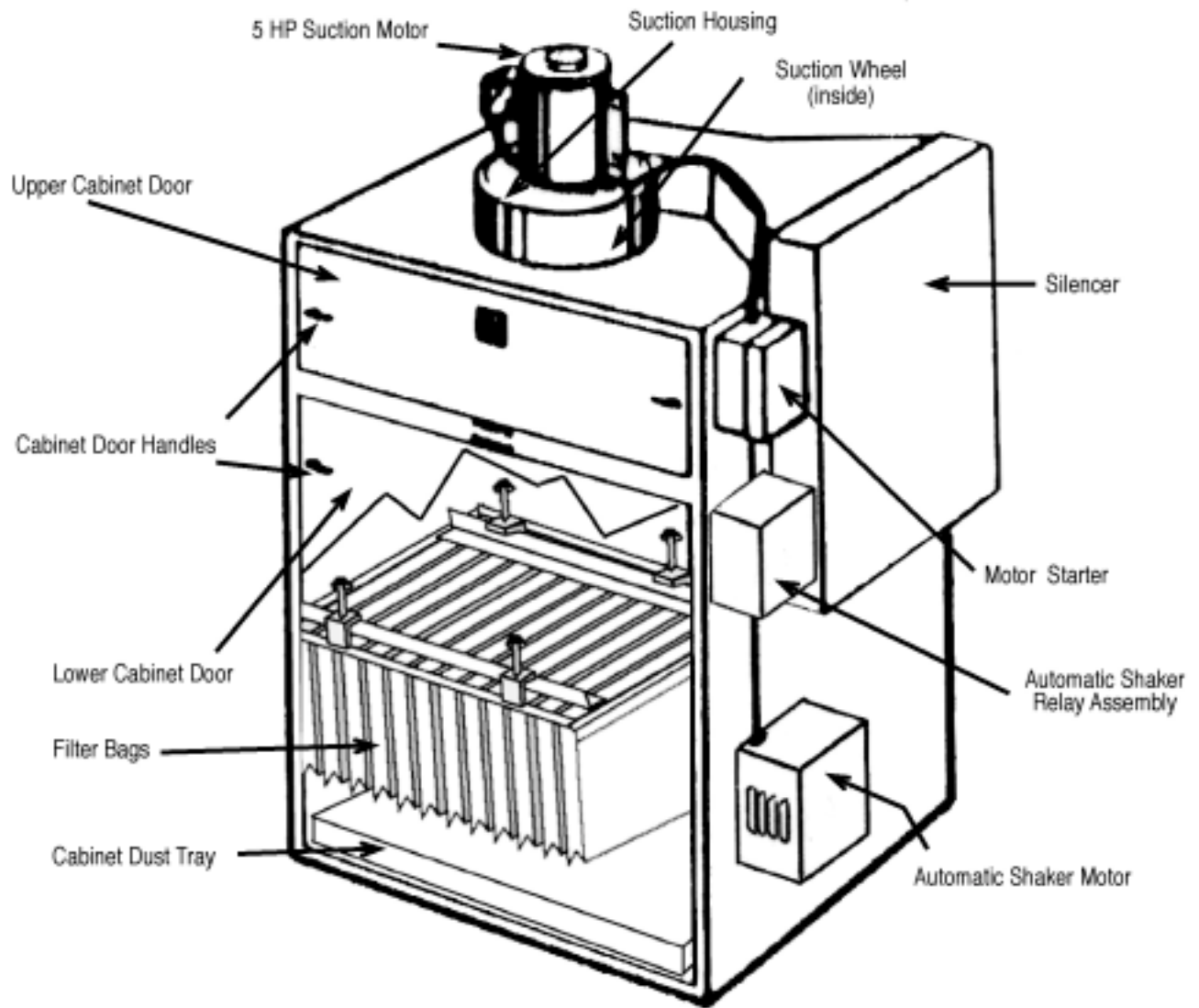
**CARE SHOULD BE TAKEN TO KEEP THE FILTER BAGS CLEAN. FAILURE TO CLEAN THE FILTER BAGS, LOWER CABINET TRAY OR LOWER DUST HOPPER WILL RESULT IN A POSSIBLE MALFUNCTION OF THE 105 AND LOSS OF YOUR WARRANTY.**

Under heavy use, we recommend the filter bags are changed every 9 - 12 months. Failure to change the filter bags may result in dusts "blowing by" the filter bags and accumulating on the inside upper chamber of the dust collector or, possibly, outside the 105 cabinet.

Should this occur, clean and replace the filter bags at once, to prevent further damage to the dust collector and surrounding area.

**WARNING:** Whenever any type of service is performed on your Dust Collector, make certain the Dust Collector has been disconnected from its power source. Service should be performed by a Licensed Electrician only after the unit has been shut down at the main power source. As with all rotating devices, keep all loose clothing and hair tightly secured.

## 105 DUST COLLECTOR PARTS LIST



## 105 DUST COLLECTOR PARTS LIST

P105 - 01 ..... Lower Cabinet Door	P105 - 11 .....Suction Wheel Rotation Arrow
P105 - 02 .....Upper Cabinet Door	P105 - 12 .....Automatic Shaker Relay Cover
P105 - 03 .....Cabinet Door Handles	P105 - 13 .....Automatic Shaker Relay Assembly
P105 - 04 .....Manual Shaker Handle	P105 - 14 .....Suction Wheel
P105 - 05 .....Cabinet Dust Tray	P105 - 15 .....Suction Housing
P105 - 06 .....Lower Cabinet Manual Shaker Assembly	P105 - 16 .....Silencer
P105 - 07 .....Manual Shaker Assembly	P105 - 17 .....Hopper Funnel
P105 - 08 .....Automatic Shaker Motor Cover	P105 - 18 .....Dust Hopper
P105 - 09 .....Automatic Shaker Motor	P105 - 19 .....Filter Bag Brush
P105 - 10 .....5 HP Suction Motor	P105 - 20 .....Magnetic Starter

## **105 DUST COLLECTOR PARTS LIST**

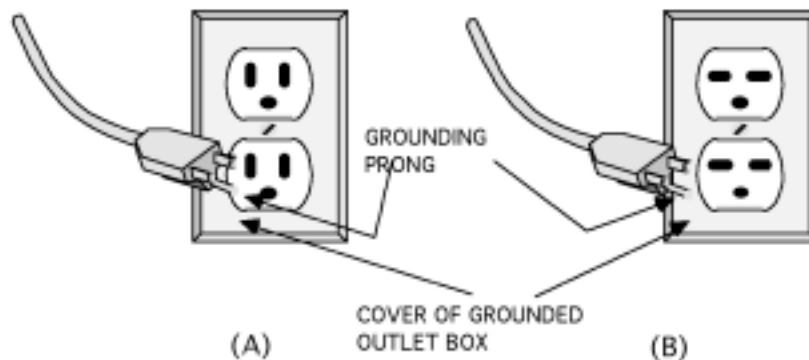
- P105 - 01 .....Lower Cabinet Door
- P105 - 02 .....Upper Cabinet Door
- P105 - 03 .....Cabinet Door Handles
- P105 - 04 .....Shaker Handle
- P105 - 05 .....Cabinet Dust Tray
- P105 - 06 .....Lower Cabinet Manual Shaker Assembly
- P105 - 07 .....Manual Shaker Assembly
- P105 - 08 .....Automatic Shaker Motor Cover
- P105 - 09 .....Automatic Shaker Motor
- P105 - 10 .....5 HP Suction Motor
- P105 - 11 .....Suction Wheel Rotation Arrow
- P105 - 12 .....Automatic Shaker Relay Cover
- P105 - 13 .....Automatic Shaker Relay Assembly
- P105 - 14 .....Suction Wheel
- P105 - 15 .....Suction Housing
- P105 - 16 .....Silencer
- P105 - 17 .....Hopper Funnel
- P105 - 18 .....Dust Hopper
- P105 - 19 .....Filter Bag Brush
- P105 - 20 .....Magnetic Starter

# SAFETY INSTRUCTIONS

## I. GROUNDING INSTRUCTIONS

This tool should be grounded while in use to protect the operator from electric shock. The tool is equipped with an approved three-conductor cord and three-prong grounding type plug to fit the proper grounding type receptacle. The green (or green and yellow) conductor in the cord is the grounding wire. Never connect the green (or green and yellow) wire to a live terminal. If your unit is for use on less than 150 volts, it has a plug that looks like that shown in sketch (A) in Figure 1. If it is for use on 150 to 250 volts, it has a plug that looks like that shown in sketch (B). Use of an extension cords or a 2 prong adapter is not recommended.

FIGURE 1  
GROUNDING METHODS



## TOOL SAFETY INSTRUCTIONS

### 1. Keep Work Area Clean

Cluttered areas and benches invite accidents.

### 2. Avoid Dangerous Equipment

Don't expose power tools to rain. Don't use power tools in damp or wet locations. Keep work area well lit.

### 3. Keep Children Away

All visitors should be kept safe distance from work area and appliance.

### 4. Store Idle Tools

When not in use, tools should be stored in dry, high, and locked location out of the reach of children.

### 5. Don't Force Tool

It will do the job better and be safe at the rate for which it was designed.

### 6. Use Right Tool

Don't force small tool or attachment to do the job of a heavy-duty tool.

### 7. Wear Proper Apparel

Do not wear loose clothing or jewelry which may get caught in moving parts. Tie back long hair or use a proper hair net.

### 8. Use Safety Glasses

Use safety glasses with all rotating tools. Also use a face or dust mask if cutting operation is dusty.

### 9. Don't Abuse Cord

Never carry tool by cord or yank it to disconnect from receptacle. Keep cord from heat, oil, and sharp edges.

### 10. Secure Work

Use clamps or a vise to hold work. It's safer than using your hand and it frees both hands to operate tool.

### 11. Don't Overreach

Keep proper footing and balance at all times.

### 12. Maintain Tools with Care

Keep tools sharp and clean for best and safest performance. Follow instructions for lubricating and changing accessories.

### 13. Disconnect Tools

When not in use; before servicing; when changing accessories such as blades, bits, cutters, etc.

### 14. Avoid Accidental Starting

Be sure switch is OFF when plugging in.

**DON'T FORGET HANDLER'S OTHER FINE LAB PRODUCTS.**



31DTS  
DRY MODEL TRIMER SYSTEM



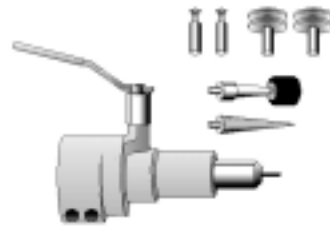
RED WING LATHES & MOTORS



550 SELF CONTAINED  
DUST COLLECTOR



SYNCRO/TORQUE III  
ELECTRONIC HANDPIECE



CHUCK/CHANGER  
FULLY AUTOMATIC



ADJUSTABLE ARM &  
MAGNIFYING LAMPS

**HANDLER** *Over Eighty Years of Quality Manufacturing and Service...*

**FAX OR E-MAIL TODAY FOR A FREE CATALOGUE OR JUST MORE INFO**

1-908-233-7796 • 1-800-274-2635 FAX: (908) 233-7340

E-Mail: [info@handlermfg.com](mailto:info@handlermfg.com) Website: [www.handlermfg.com](http://www.handlermfg.com)

Handler Manufacturing Co., Inc.  
612 North Avenue East, Westfield, NJ, U.S.A. 07090

PLEASE SEND ME MORE INFORMATION ON HANDLER PRODUCTS TO:

NAME \_\_\_\_\_

ADDRESS \_\_\_\_\_

CITY \_\_\_\_\_ STATE \_\_\_\_\_ ZIP \_\_\_\_\_

COMMENTS \_\_\_\_\_

E-MAIL: \_\_\_\_\_

